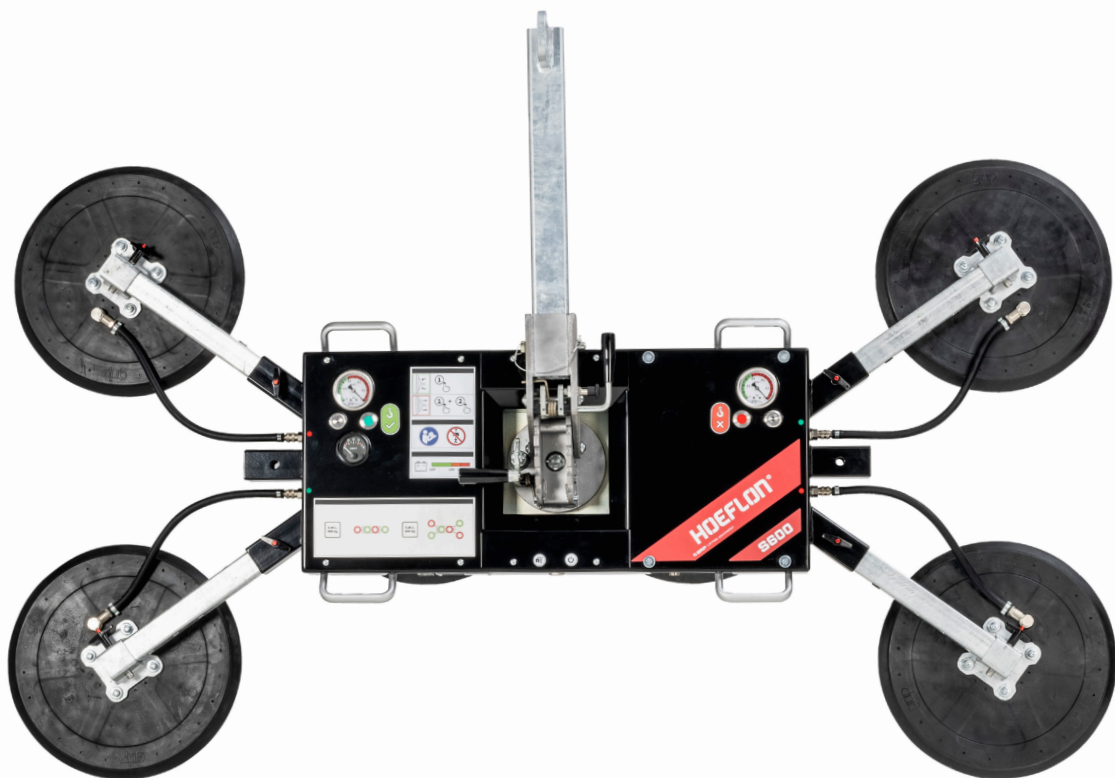


# S600

## Specifications



<b>Lifting capacity double circuit:</b>	200 - 600 kg
<b>Machine weight:</b>	50 - 70 kg
<b>Rotation range:</b>	360° with four locking positions
<b>Tilting range:</b>	90° with six locking positions
<b>Machine height:</b>	200 mm
<b>Battery:</b>	12VDC, 10Ah

The vacuum lifter for glass up to 600 kg. Equipped with double vacuum system as standard. The various configurations make this machine our all-rounder, suitable for projects small and large.

## Unique features

- Lifting capacity up to 600 kg with dual-circuit vacuum system
- 360° manual rotation with 4 locking positions
- 90° tilting range with 6 locking positions for precise positioning
- Machine weight between 50-70 kg depending on configuration

## Delivered standard with:

- Remote control
- Transport trolley
- Exchangeable lifting arm
- Exchangeable battery system incl. spare battery
- Protective covers for suction cups



Battery



Charger



Remote control



Exchangeable lifting arm

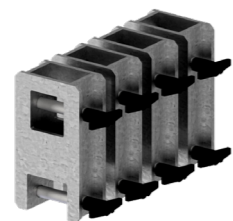


Cover set suction cups & trolley

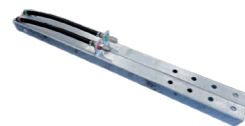
## Optional accessories



PVC cover



Raised support set  
9 cm



Extension tube set  
2.6 cm

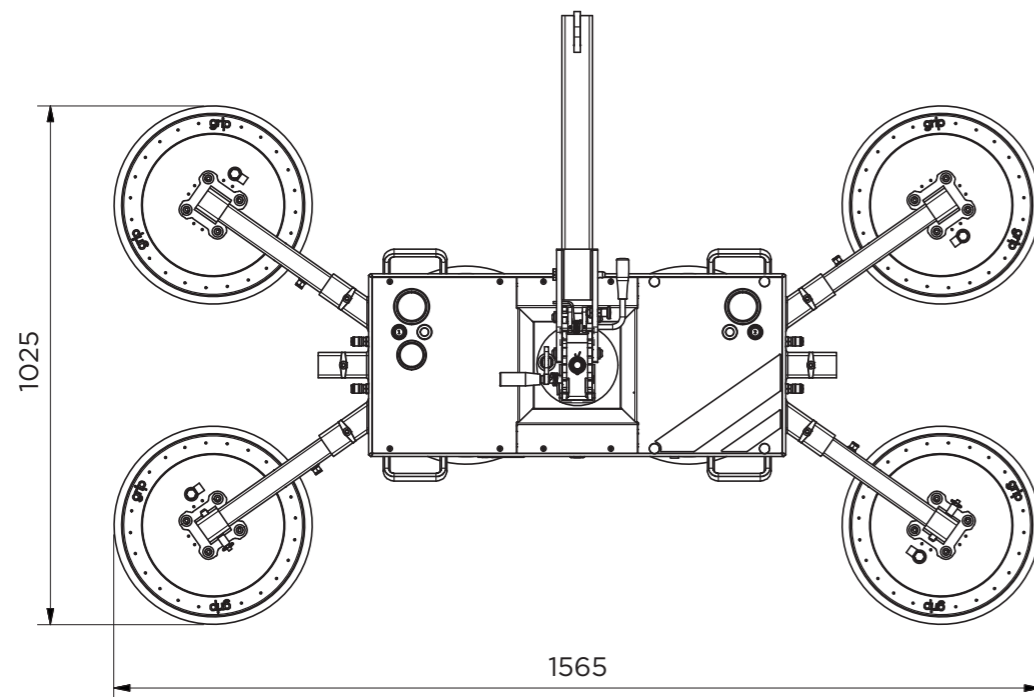
## Specifications

- Manual tilting with 6 locking positions and continuous adjustment
- Manual rotation with 4 locking positions
- Radio remote control of suction and release
- Interchangeable lifting point for lower overall height
- Transport trolley with pneumatic tyres

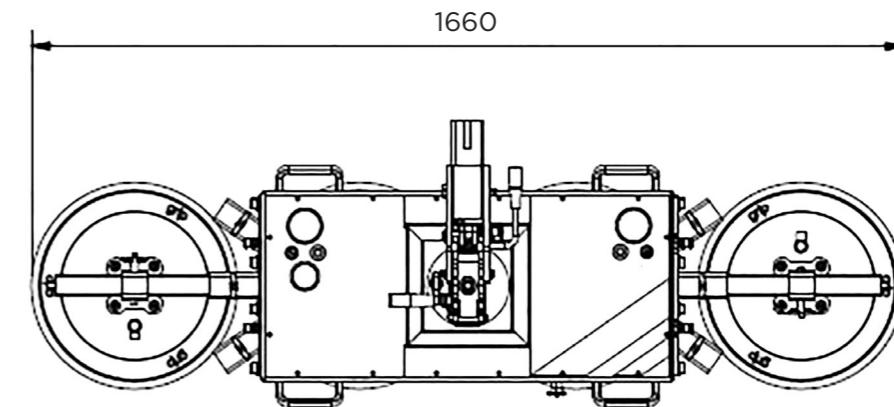
## In-use



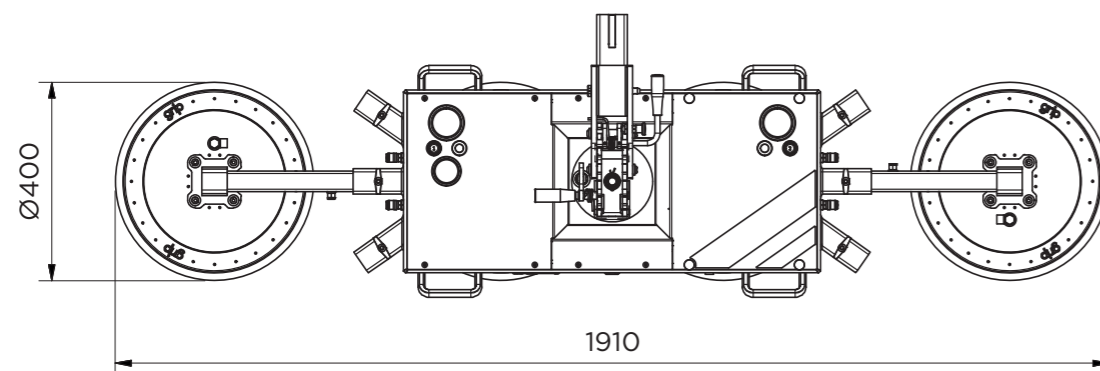
**600 kg - Spider suction lifter**



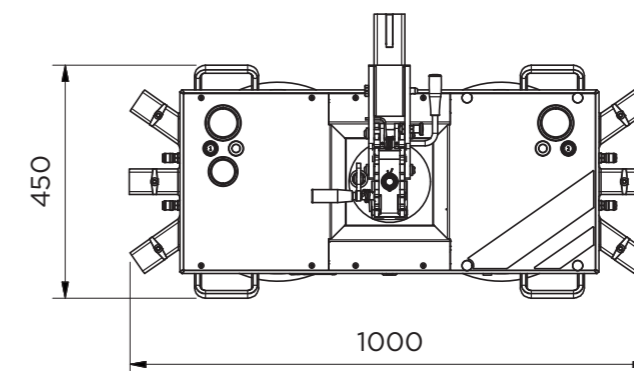
**400 kg - Inline suction lifter, compact**



**400 kg - Inline suction lifter, long**



**200 kg - Basic unit**



# S600

Specifications

**HOEFLON**<sup>®</sup>

## See what the S600 can do for you

Hoeflon glass lifters are built for precision, safety, and ease of use: ready to support any lifting challenge on your job site. Interested in seeing the performance for yourself or receiving more information? Get in touch to request a demo or quote.



**Hoeflon International B.V.**  
Zwolleweg 2  
3771 NR Barneveld, NL

T +31 (0)342 400288  
sales@hoeflon.com  
KVK 66408962

BIC ABNANL2 A  
BTW NL856539806B01  
IBAN NL96ABNA0457114533

[www.hoeflon.com](http://www.hoeflon.com)